



## EZI FRAME

ON-SITE BATH INSTALLATION FRAME - 1.6mm Galvanised Stainless Steel

The EZI Frame is an optional structural, bath support frame suitable for select Decina rectangle & oval baths & spa baths between 1500-1800mm in length, with a baseboard. This steel frame is adhered to the base of the bath on-site, by the installer or builder. At least 48 hours drying time is required for the adhesive before the bath can be installed & the adjustable, self-leveling feet screwed down to touch the sub floor.

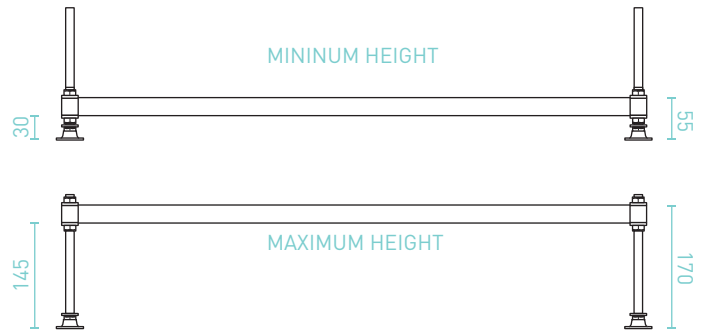
- ✓ Adjustable self-levelling feet
- ✓ Protect against the bath warranty
- ✓ Simplify the installation process by eliminating the need for further steel framing, a wet bed slurry or a mortar bed\*



SIZE (Suitable for)	NET WEIGHT	CODE
SMALL (end waste 1500mm baths)	5kg	EZF001
LARGE (end waste 1600/1700/1800mm baths)	5kg	EZF002
SMALL (centre waste 1500mm baths)	5kg	EZF003
LARGE (centre waste 1600/1700/1800mm baths)	5kg	EZF004



- Low cost & time saving
- Adjustable self-levelling feet add 55-170mm



### EZI FRAME OPTIONAL UPGRADE

EZI Frame factory fitted onto the bath before dispatch (for immediate on-site installation)

### CODE

EZFF (additional cost)

\*If being used as a shower bath installation an additional mortar base support is required between the frame & the floor.



# EZI FRAME

ON-SITE BATH INSTALLATION FRAME - 1.6mm Galvanised Stainless Steel

SIZE [Suitable for]

SMALL (end waste 1500mm baths)

CODE

EZF001

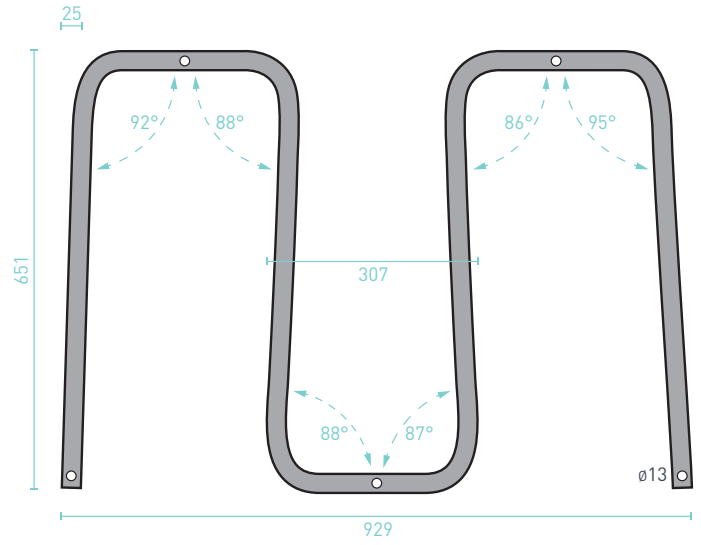
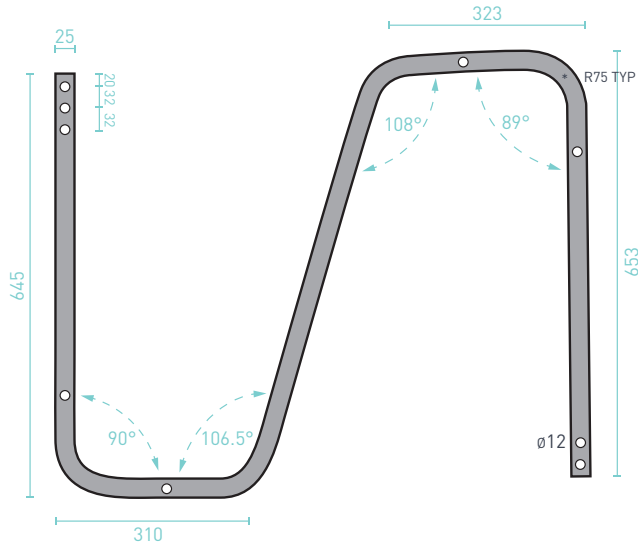


SIZE [Suitable for]

SMALL (centre waste 1500mm baths)

CODE

EZF003



SIZE [Suitable for]

LARGE (end waste 1600/1700/1800mm baths)

CODE

EZF002

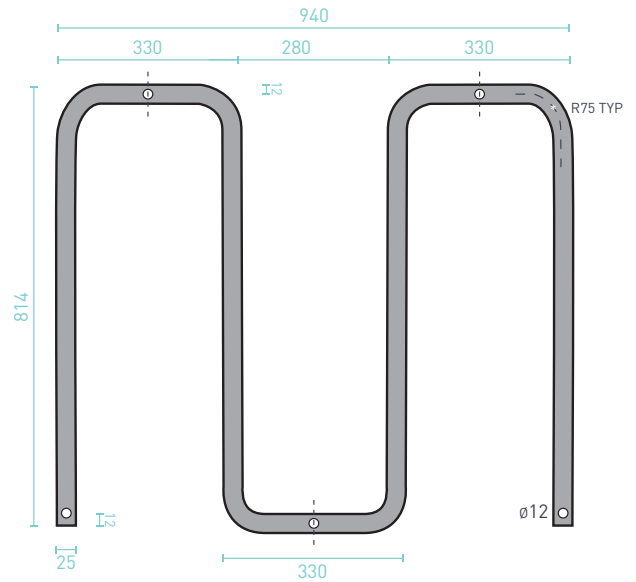
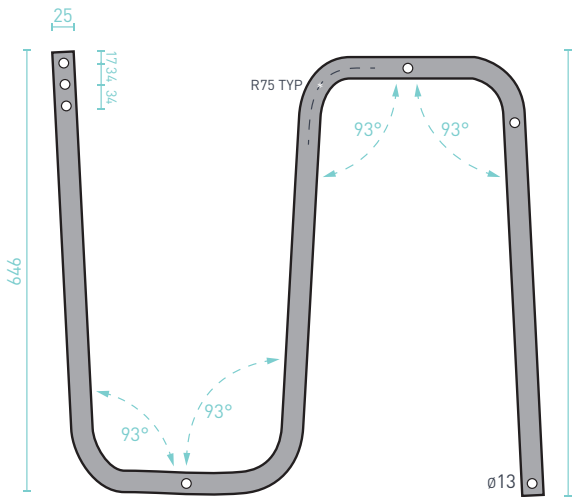


SIZE [Suitable for]

LARGE (centre waste 1600/1700/1800mm baths)

CODE

EZF004



\*If being used as a shower bath installation an additional mortar base support is required between the frame & the floor.